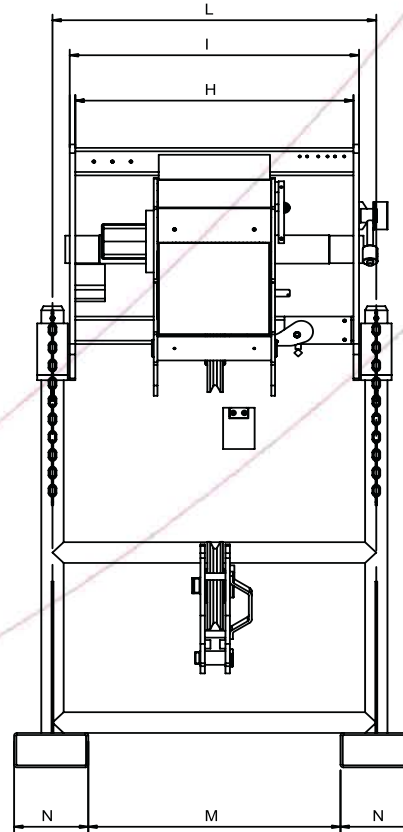
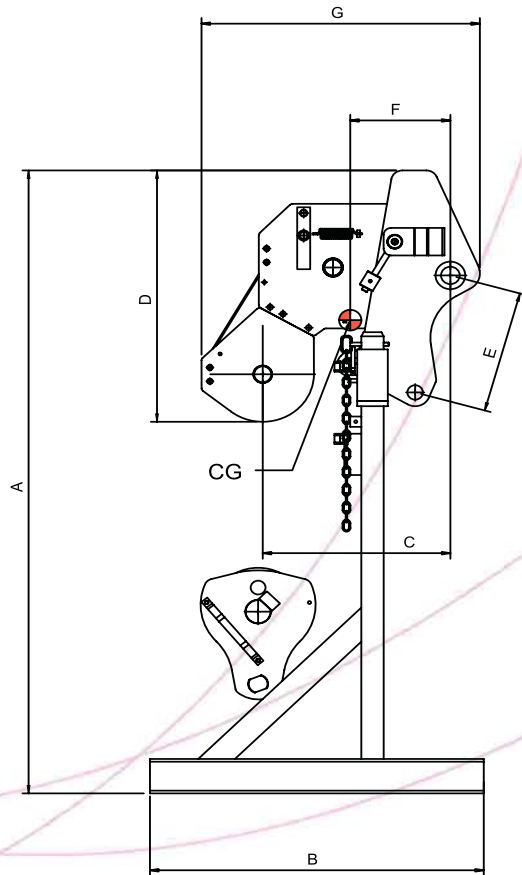


# WINCH 5 TON



*Description:*  
5 t hydraulic winch

*Specifications:*

- Line pull (3rdlayer): **5000 kg.**
- Maximum speed (3rdlayer): **21.5 m/min**
- Double** line pull
- 53 m long and 12 mm diameter cable arranged in three layers.
- Sauer-Danfoss OMSS 80 orbital motor
- Planetary reduction gear featuring negative disk brake and oil bath
- The threaded drum is equipped with a cable-pressing roller to ensure the cable is always wound correctly
- Presence of a cable guide which further improves cable winding on the drum
- ISO 4301/1 classification: **T4,L2,M4**

*Safety features:*

- Positive hydraulic descent limit stop
- Positive hydraulic ascent limit stop

## CHARACTERISTICS

| DESCRIPTION | LOAD LIMIT | OVERALL LENGTH |     |     |     |     |     |     |     |     |    |     | WEIGHT |        |
|-------------|------------|----------------|-----|-----|-----|-----|-----|-----|-----|-----|----|-----|--------|--------|
|             |            | A              | B   | C   | D   | E   | F   | G   | H   | I   | L  | M   |        | N      |
| WINCH 5T    | 5000 KG    | 1810           | 900 | 557 | 814 | 353 | 320 | 838 | 126 | 750 | 15 | 680 | 200    | 510 KG |